

# MECLUBE 3:1 OIL PUMP

MADE IN EUROPE



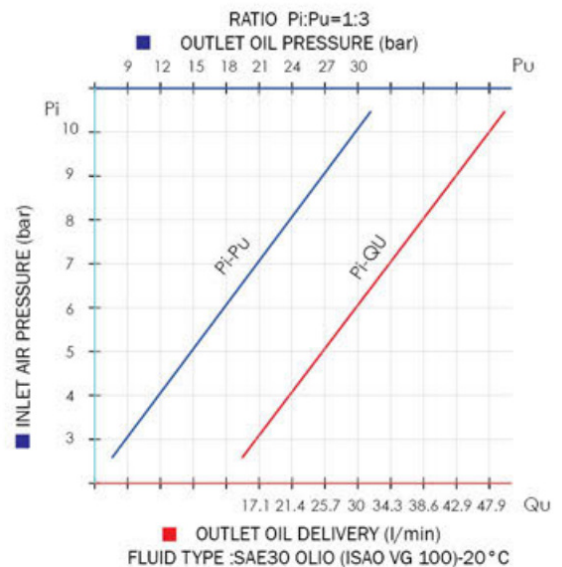
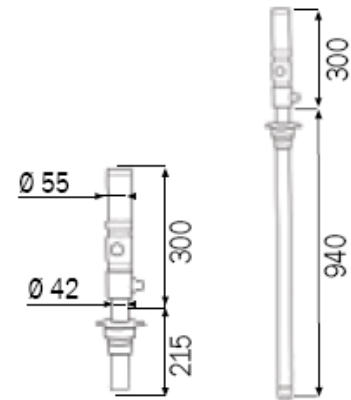
**THESE PUMPS ARE ADVISED FOR THE TRANSFER OF LOW-MEDIUM VISCOSITY OIL FOR SHORT-MEDIUM DISTANCES. HIGH STRESSED ELEMENTS MADE OF FE 420 STEEL**

## Specifications

Compression ratio 3:1	3:1
Working pressure	6-8 bar
Air consumption medium	200 l/min
Air inlet connection	F 1/4" G BSP
Oil outlet connection	M 1/2" BSP
Oil delivery capacity	6 bar 25 l/min
Noise	80 dB
Seals	Viton
Body Material	Aluminum
Shank diameter	42 mm
Shank length	215 mm
Weight	3,77 kg

## ML31

These pumps are advised for the transfer of low-medium viscosity oil (SAE 15/130) for short-medium distances (40—50 m). The delivery capacity of the pump varies according to particular applications and combinations: the pressure of air supplied; viscosity and temperature of fluid being pumped; dimensions of delivery hose; dimensions of connections and type of gun being used. Suitable for tank, drum or wall mount. Available in various kits. The operating pressure may vary between a minimum of 3 bar and a maximum of 8 bar. To optimize the performance and the time-life of the air-operated pumps advise to use filtered and lubricated air.



# MECLUBE 3:1 OIL PUMP

## AIR OPERATED PUMP KITS Specifications

	PUMP	6 MTR DELIVERY HOSE	FILTER REG-LUBRICATOR	NOZZLE	15 MTR HOSE REEL	MAY200 TROLLEY
ML3120	3:1					
ML3120-06F	3:1	Y	Y	On/Off Nozzle		
ML3120-06FB	3:1	Y		On/Off Nozzle		
ML3120-06K	3:1	Y	Y	Mechanical		
ML3120-06K4	3:1	Y		Electronic		
ML3120-06E	3:1	Y	Y	Electronic		
ML3120-06K5	3:1	Y	Y	Preset		
ML3120-Y15K	3:1	Y	Y	Mechanical	Y	
ML3120-Y15E	3:1	Y	Y	Electronic	Y	
ML3120-Y15K5	3:1	Y	Y	Preset	Y	
MAY200-M31-06K	3:1	Y	Y	Mechanical		Y
MAY200-M31-06E	3:1	Y	Y	Electronic		Y
MAY200-M31-06K5	3:1	Y	Y	Preset		Y
MAY200-M31-H15K	3:1	Y	Y	Mechanical	Y	Y
MAY200-M31-H15E	3:1	Y	Y	Electronic	Y	Y
MAY200-M31-H15K5	3:1	Y	Y	Preset	Y	Y



ML3120



ML3120-06FB



ML3120-06K4



ML3120-06K



ML3120-06E



ML3120-06K5

## AIR OPERATED IBC KITS Specifications

	PUMP	HOSE	FILTER REG-LUBRICATOR	NOZZLE	15 MTR HOSE REEL	TOP MOUNT IBC	SIDE MOUNT IBC
MIBL3120-06K	3:1	6 Mtr Delivery Hose	Y	Mechanical		Y	
MIBL3120-06E	3:1	6 Mtr Delivery Hose	Y	Electronic		Y	
MIBL3120-06K5	3:1	6 Mtr Delivery Hose	Y	Preset		Y	
HMIB3120-15K	3:1	2 Mtr reel feed hose	Y	Mechanical	Y	Y	
HMIB3120-15E	3:1	2 Mtr reel feed hose	Y	Electronic	Y	Y	
HMIB3120-15K5	3:1	2 Mtr reel feed hose	Y	Preset	Y	Y	
MIBLS3120-06K	3:1	6 Mtr Delivery Hose	Y	Mechanical			Y
MIBLS3120-06E	3:1	6 Mtr Delivery Hose	Y	Electronic			Y
MIBLS3120-06K5	3:1	6 Mtr Delivery Hose	Y	Preset			Y
HMIBS3120-15K	3:1	2 Mtr reel feed hose	Y	Mechanical	Y		Y
HMIBS3120-15E	3:1	2 Mtr reel feed hose	Y	Electronic	Y		Y
HMIBS3120-15K5	3:1	2 Mtr reel feed hose	Y	Preset	Y		Y



ML3120-Y15E



ML3120-Y15K5



ML3120-Y15K



MAY200-M31-H15K

Photo is MIBL3120-06K model



Photo is HMIB3120-15K model



Photo is MIBLS3120-06K model



Photo is HMIBS3120-15K model

