

70 LPM 240V DIESEL TRANSFER PUMP



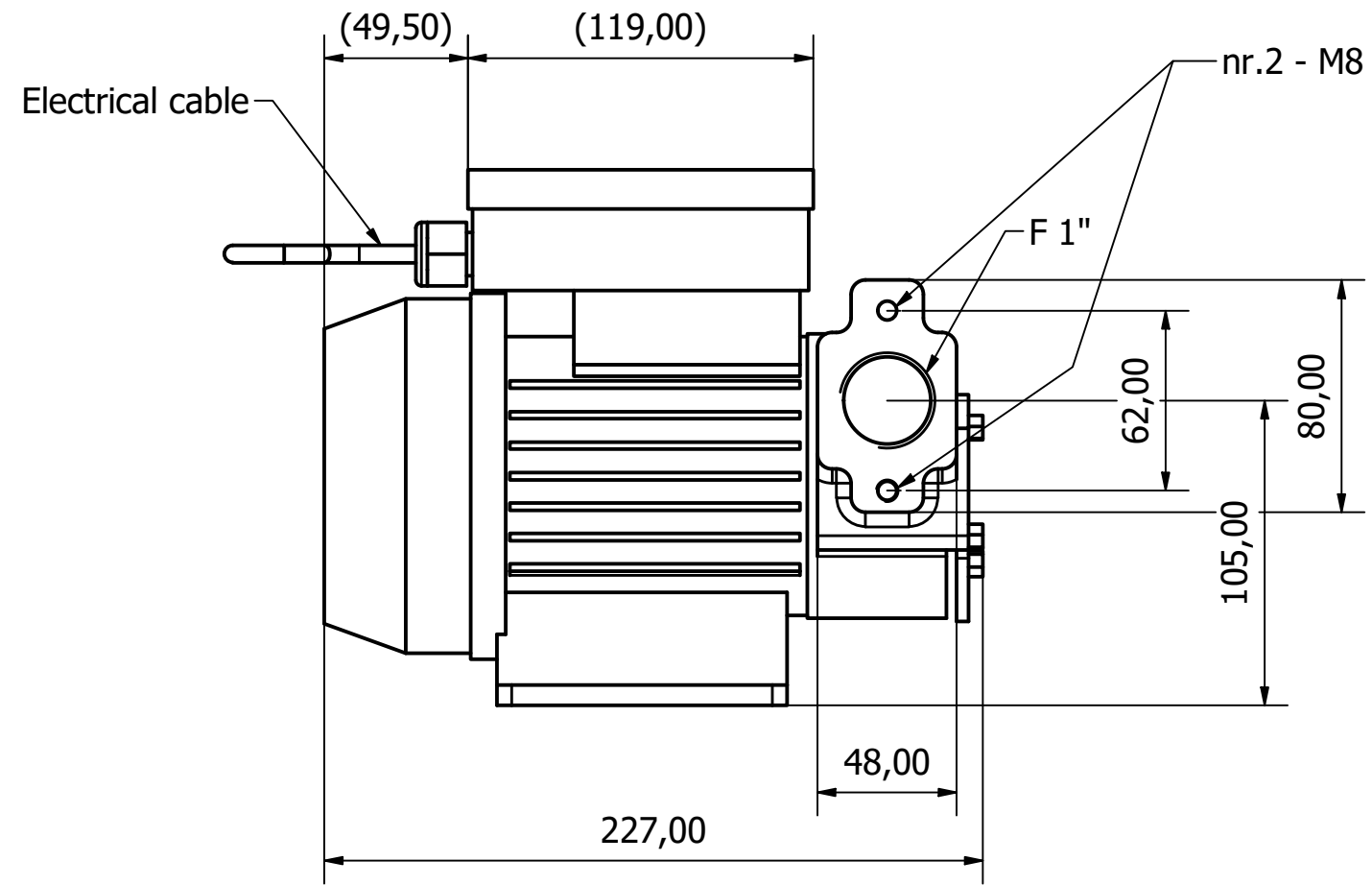
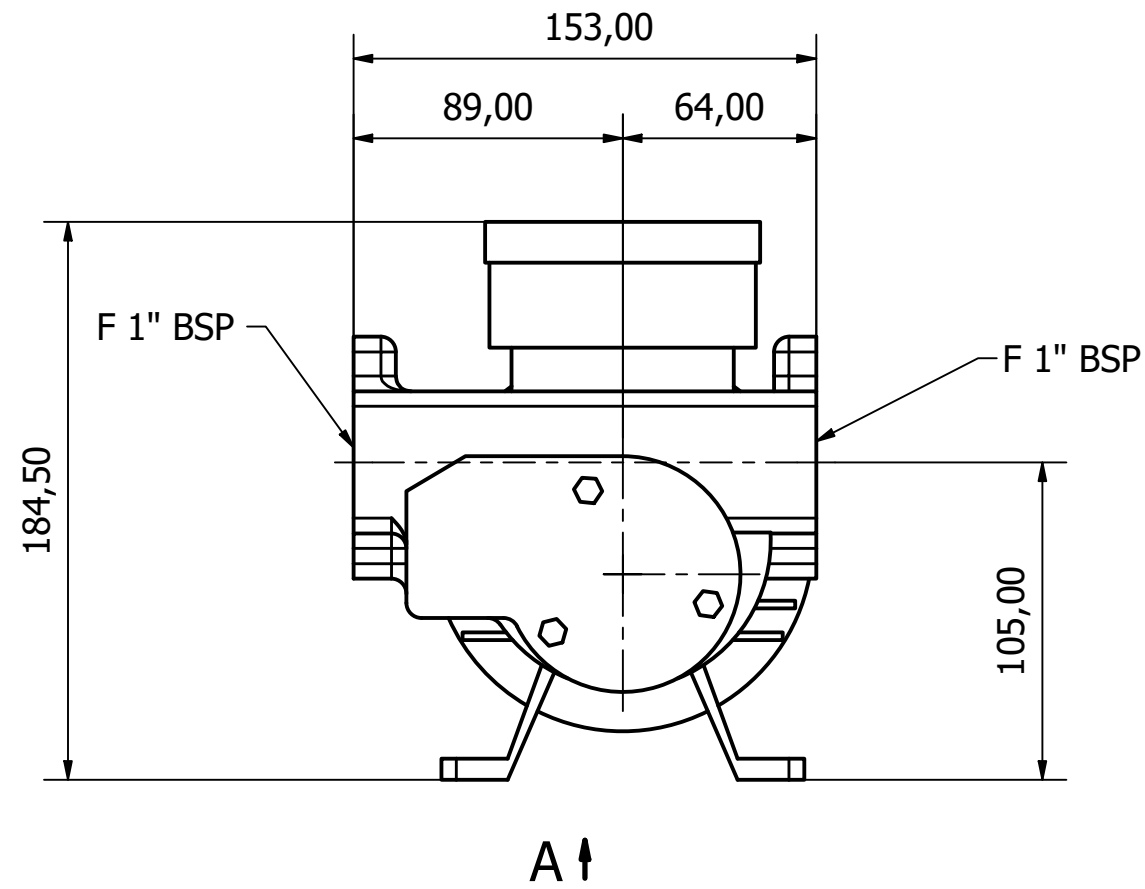
Diesel pump 70 LPM. Heavy duty vane pump for continuous duty applications. 240 Volt.

MADE IN EUROPE

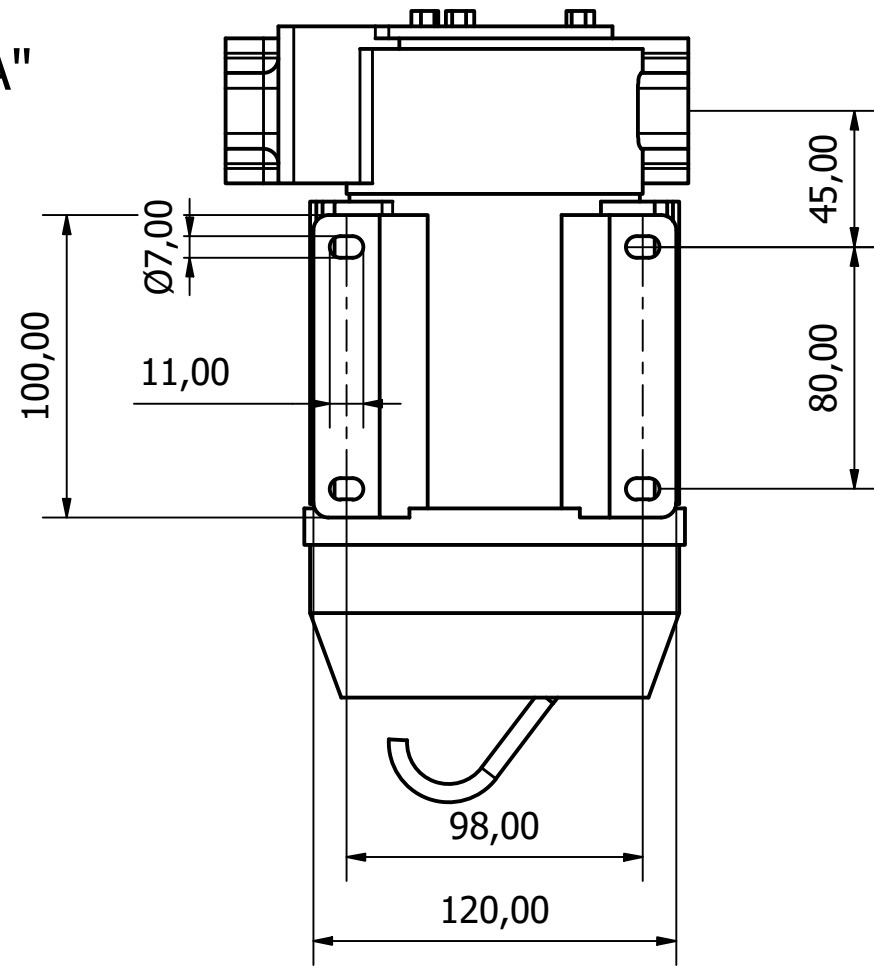
70LPM Heavy duty rotary vane pump for diesel


M70HD

- 70LPM Heavy duty rotary vane pump for diesel transfer.
- Self priming with internal by-pass valve.
- Cast iron pump body
- 1" BSP Inlet/Outlet. 50 HZ. 240 Volt.
- IP55
- Continuous operation.
- Made in Italy
- Stainless steel 100 micron strainer.
- Cable and 3 pin plug
- 230 Volt/50Hz/2.9A/552W/2800RPM



View "A"



COPYRIGHT©2016 THE CONTENTS OF THIS DRAWING REMAINS THE PROPERTY OF EQUIPCO. CONTENTS MAY NOT BE COPIED OR REPRODUCED UNLESS PREVIOUSLY AUTHORISED	Code: M70HD		
			
	240 Volt 70LPM Rotary vane diesel pump		

M70HD 70 LPM 240V DIESEL TRANSFER PUMP

