

LOCKABLE BALL VALVE



AGA Approved Brass Ball Valve F&F
Lockable Stainless Steel Lever Handle

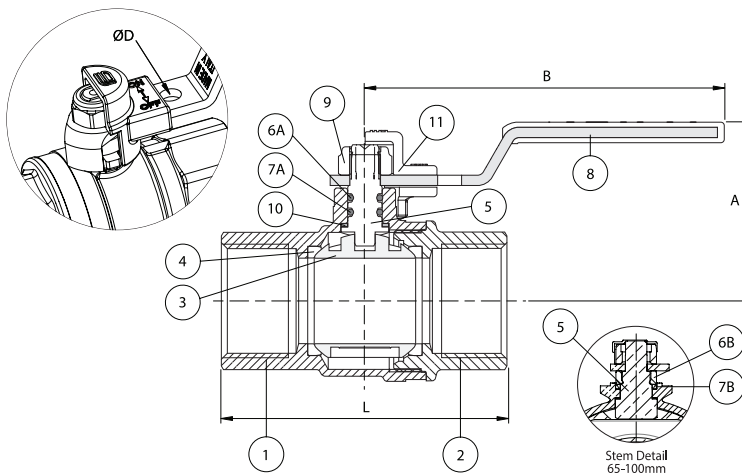
- Manufactured in Italy
- Full bore
- Australian gas association approval #5301
- Lockable handle allows valve to be locked in open or closed position
- Handle is tamper-proof when locked
- Blow-out proof stem
- Must be operated in fully open or closed position
- All valves pressure tested during production
- Size range: 15mm to 100mm

	25LBDV	32LBDV	40LBDV	50LBDV
TEMPERATURE RANGE:	-20°C TO 99°C			
MAXIMUM OPERATING PRESSURE AT NOMINAL TEMPERATURES: FLUIDS	4000 kPa	2500 kPa	2500 kPa	2500 kPa
GAS	2100 kPa			

EUROPEAN MADE

AUSTRALIAN GAS ASSOCIATION APPROVAL #5301

DIMENSIONAL AND COMPONENT DIAGRAM



MATERIALS

	PART NAME	MATERIALS
1	BODY	BRASS
2	END ADAPTOR	BRASS
3	BALL	BRASS (CHROME PLATED)
4	SEAL	PTFE
5	STEM	BRASS
6A	UPPER O-RING	HNBR
7A	LOWER O-RING EPDM	PEROXIDE
6B	GLAND NUT	BRASS
7B	CONICAL SEAL	PTFE
8	HANDLE	STAINLESS STEEL 316
9	NUT	STAINLESS STEEL 316
10	THRUST WASHER	PTFE
11	LOCKING MECHANISM	STAINLESS STEEL 316

Code	Description
20LBDV	20mm lockable ball valve
25LBDV	25mm (1" BSP) lockable brass ball valve
32LBDV	32mm (1 ¼ BSP) Lockable brass ball valve
40LBDV	40mm (1 ½ BSP) lockable brass ball valve

DIMENSIONS - mm

	Size	A	B	L	ØD	Kv	Wgt kg
20LBDV	20	46	105	69	7	28	0.357
25LBDV	25	52	105	83	7	39	0.490
32LBDV	32	63	130	97	8	84	0.843
40LBDV	40	69	130	107	8	156	1.31
50LBDV	50	83	165	129	9	243	2.20