

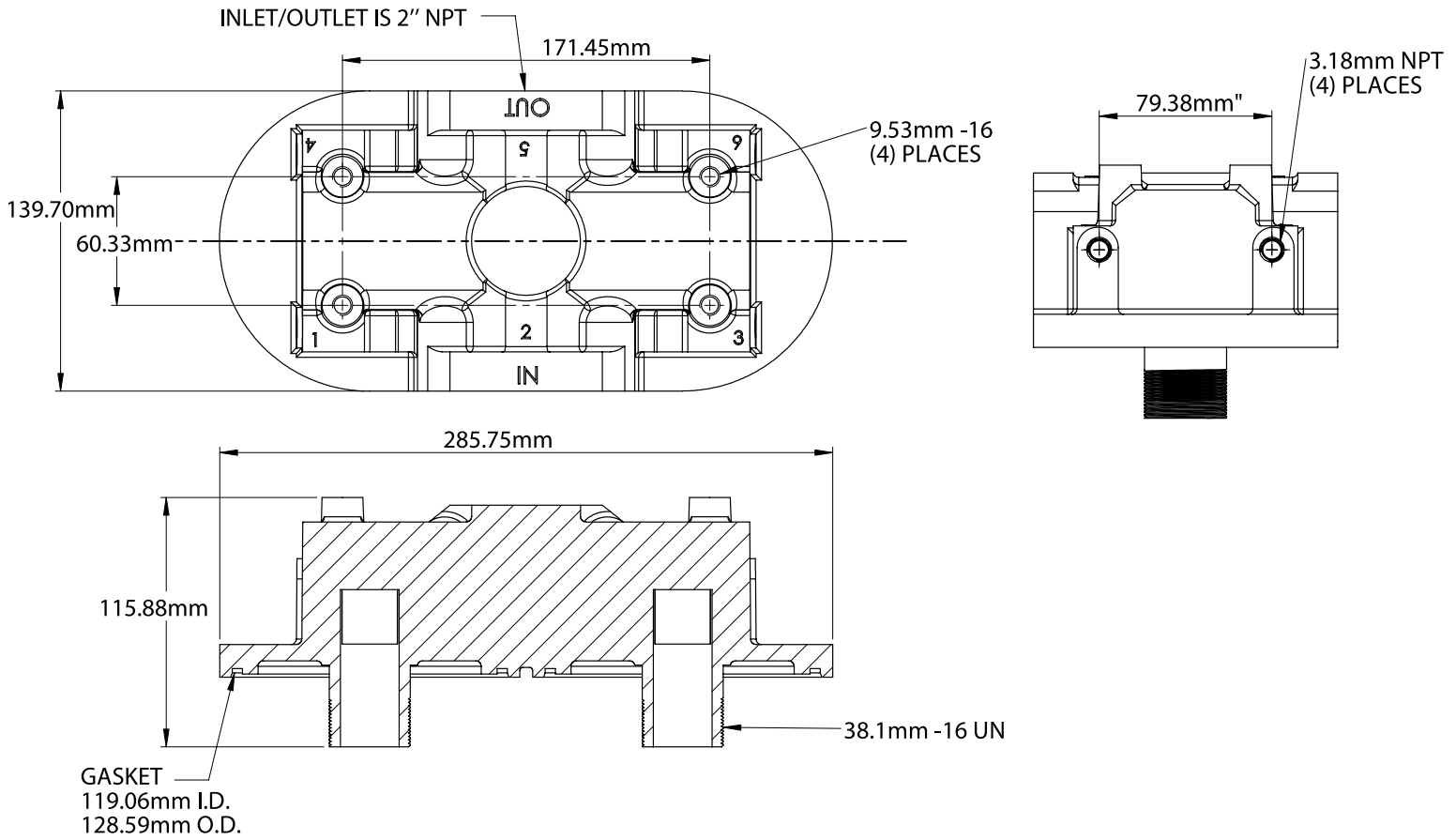
EFHD-H300 FILTER HEAD



EQUIPCO[®]

INNOVATIONS IN FUEL HANDLING

www.equipco.com.au



EFHD-H300

- Material: Aluminum
- Filter thread: UNF 1 1/2"-12 x2
- Inlet & Outlet: NPTF 2"
- Mounting Holes: Yes
- Dimension: 290×140×120mm 3kg
- Weight:3kg

