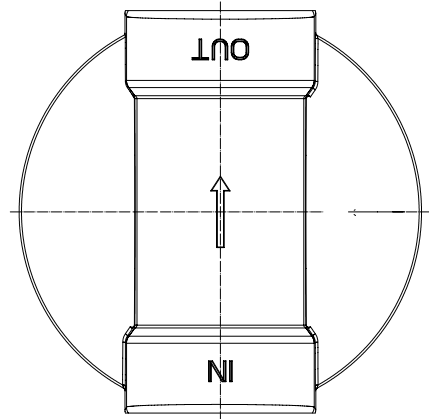
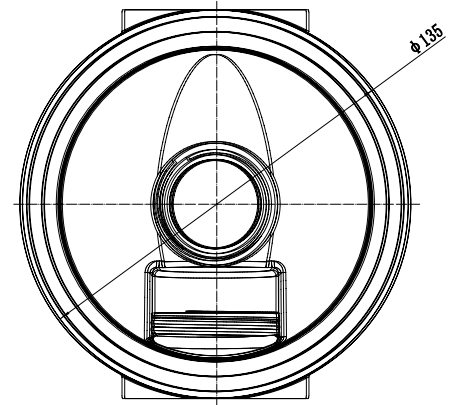
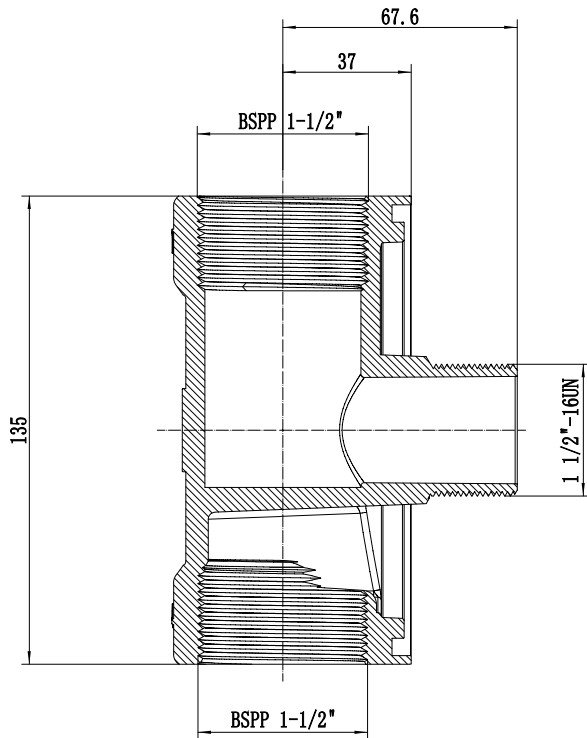


# EFHD-H15040 FILTER HEAD



[www.equipco.com.au](http://www.equipco.com.au)



## EFHD-H15040

- Material: Aluminum
- Filter thread: UNF 1.5"-16
- Inlet & Outlet: BSPF 1 1/2"
- Mounting Holes: No
- Dimension: 135×135×102mm
- Weight: 0.6kg

