

STRAIGHT SWIVELS



Aluminium alloy body with Brass bushing

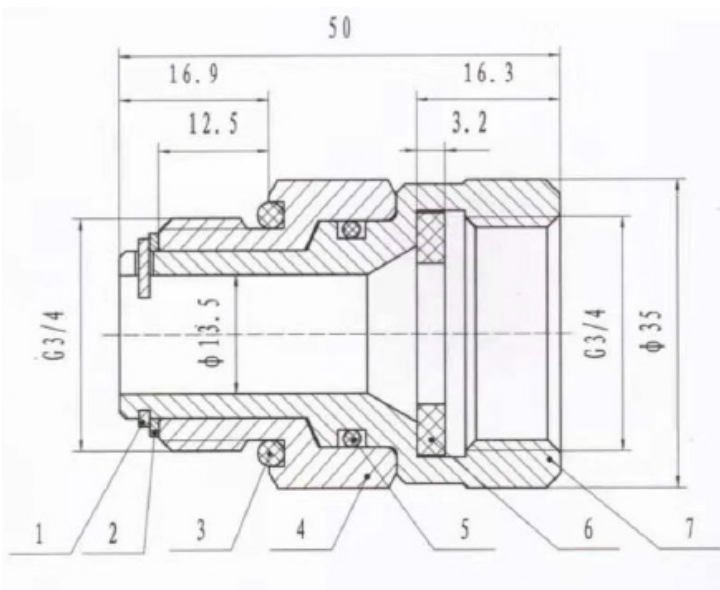
HELP REDUCE HOSE WEAR AND KINKING, GREATLY ASSISTING IN THE HANDLING OF YOUR NOZZLE

Equipco 20S and 25S single plane Diesel swivels help reduce hose wear and kinking, greatly assisting in the handling of your nozzle. With male to female threads, the swivel fits comfortably between your nozzle and hose.

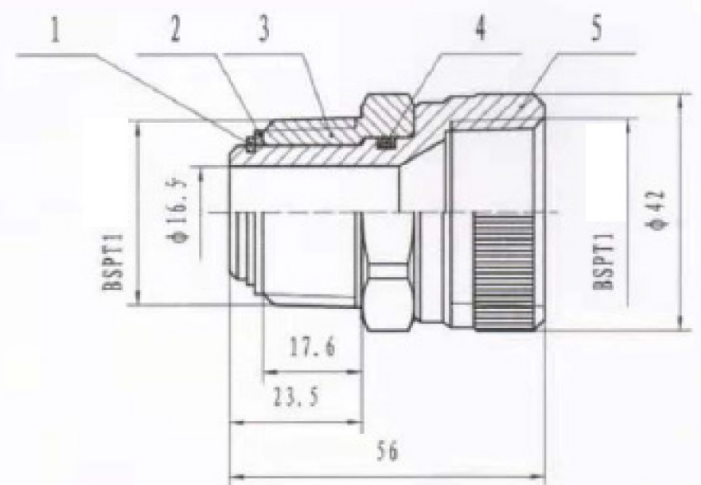
- Aluminium alloy body with Brass bushing
- Buna-N diesel resistant seals
- 35 PSI Max working pressure
- Available with 3/4" BSP threads (20S) or 1" BSP threads (25S)

Specifications

20S	3/4" BSP Male - 3/4" Female BSP swivel
25S	1" BSP Male - 1" Female BSP swivel



20S



25S